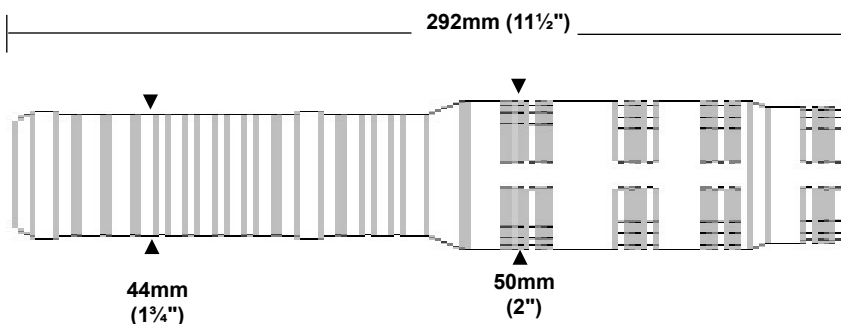


1260GSS IAQ MULTI-PARAMETER PROBE



data sheet

- **Multiple Parameter Measurement in a Single Probe** - A versatile probe capable of monitoring carbon dioxide, carbon monoxide, relative humidity, temperature and dewpoint make this probe an excellent choice for IAQ investigations. For use with GrayWolf's IAQ Surveyor instrument.
- **Infrared CO₂ Technology** - Provides fast and reliable CO₂ detection.
- **Fast Response Time** - Ideal for rapid performance of walk-through audits.
- **Hands Free Use** - The probe can be quickly and easily attached to the side of the instrument (IAQ Surveyor) making it suitable for single handed operation.

1260GSS**Specifications****1260GSS**

Parameter	Sensor	Range	Accuracy
Carbon dioxide	Non-dispersive infrared	0 to 5000ppm	±5% of reading ±50ppm
Carbon monoxide	Electrochemical	0.0 to 500.0ppm	±2ppm (<40ppm) ±5% (>40ppm)
Relative (<75%RH) humidity	Polymer capacitor	0.0 to 98.0% RH	±2%RH ±3% of reading (>75%RH)
Dewpoint	Calculated from temperature and RH	-33.0°C to +70.0°C (-27.4°F to +158.0°F)	±2°C
Temperature	Platinum	-10°C to +70.0°C	±0.3°C

GrayWolf Sensing Solutions, LLC

6 Research Drive
Shelton, CT 06484
Phone: 203-402-0477
Fax: 203-402-0478

GrayWolf Sensing Solutions, LTD

Tuamgraney Industrial Estate
Tuamgraney, Co Clare, Ireland
Phone: (353)61921736
Fax: (353)61921528



GrayWolf reserves the right to change specifications without notice.

GrayWolf Sensing Solutions
advanced environmental measurements

www.WolfSense.com